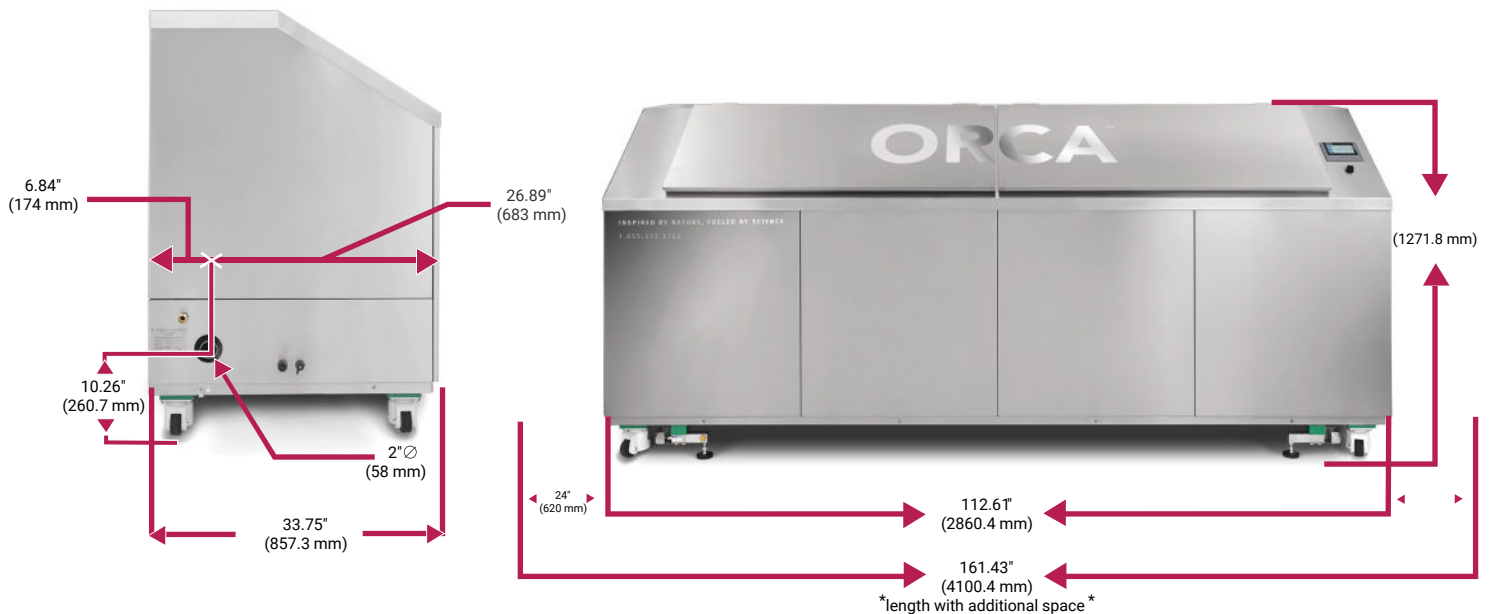


# ORCA™ MODEL OG100



## MODEL OG100 SPECIFICATIONS

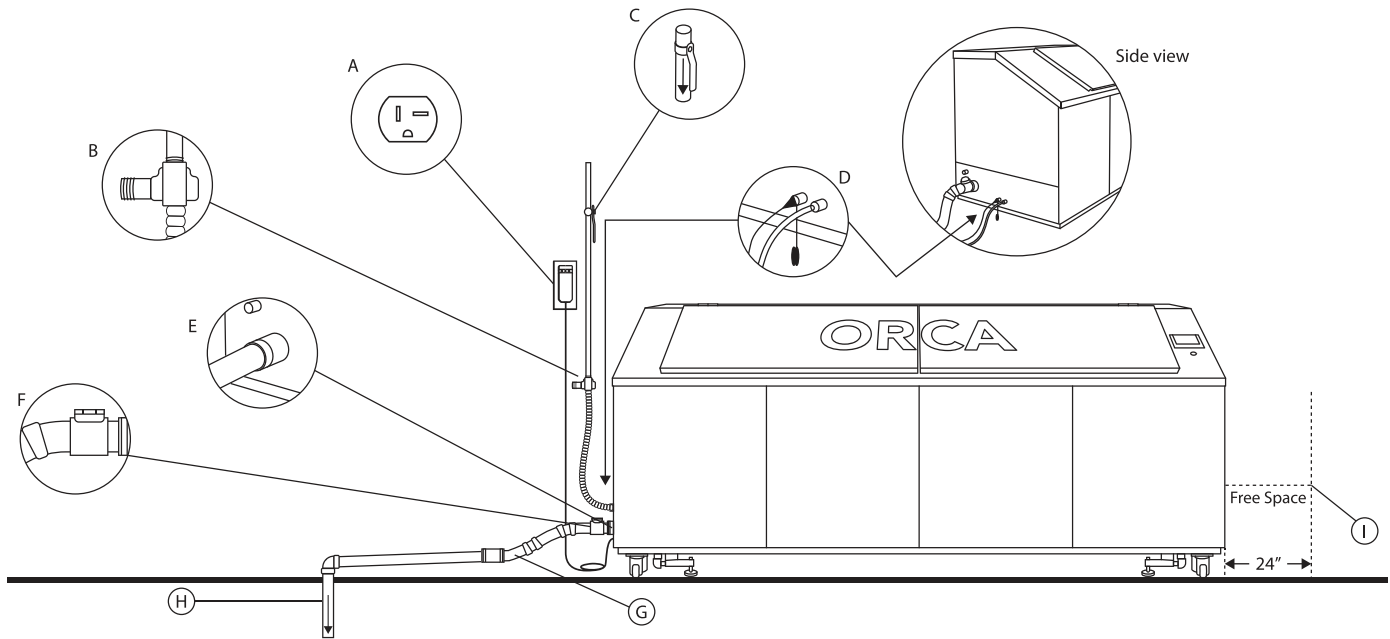
<b>REQUIRED SUPPLIES</b> ORCA Biochips, microorganisms & wipers	<b>DIMENSIONS</b> L 112.61" x W 33.75" x H 50.07" (L 286 cm x H 86 cm x W 127 cm)
<b>WEIGHT</b> 1700 lbs (771 kg)	<b>HOURLY PROCESSING CAPACITY</b> Average of 100 lbs (45 kg) per hour
<b>ELECTRICAL CONSUMPTION</b> 1.2 kWh	<b>WATER CONSUMPTION</b> 114 gallons (430 litres) per day* *Calculated based on an incoming flow rate of 2 gallons (7.6 litres) per minute
<b>INSTALLATION REQUIREMENTS</b> Electrical – Dedicated 120V / 220V Electrical Cord Length – 36-48 inches (91-121 cm) Water – Cold ½ inch (1.3 cm) water connection Drain – Min. 2 inch (5.08 cm) sanitary drain complete with grease interceptor Additional Space Requirement – A minimum of 24 inches (62 cm) of free space must be available on both sides of the machine for maintenance.	

## FEATURES

- Aerobically processes an average of 100 lbs (45 kg) of food waste per hour
- On-board scales for diversion tracking, with an extractable data file through ethernet or USB
- Online customer portal for diversion goal tracking and reporting
- Food-grade stainless steel construction
- Safety control turns off the machine when the door is opened
- Engineered for quiet operation, with a touch screen HMI
- 1 hp electric motor
- Utilizes ORCA Biochips to hold high levels of microorganisms that digest organic waste
- Effluent (liquid waste) from machine tested safe to enter the wastewater system
- Food waste can be added continuously until maximum capacity is reached



# ORCA™ MODEL OG100



- A** – Dedicated 120v or 220v outlet on a dedicated breaker
- B** – ½ inch (1.3 cm) cold waterline connected to the provided flex line via a garden hose fitting
- C** – Water shutoff valve connected to the cold-water line upstream from the ORCA
- D** – WIFI or ethernet connection
- E** – Drain line that is compatible with the ORCA's 2" (5.08 cm) exit pipe
- F** – Plumbing cleanout approximately 5" (13 cm) from the ORCA
- G** – Direct drain line with a slope of ½" per 12" (1.3cm per 30 cm) downstream of the ORCA  
\*Avoid the use of P-traps\*
- H** – Downstream above or below-ground grease interceptor
- I** – 24" (62 cm) of free space on both sides of the ORCA

## DISCLAIMER

\*ORCA staff and technicians are not responsible for the installation or maintenance of the facility's plumbing, electrical or IT requirements\*